

**2017 John Giddings Memorial Rally of Orange  
16th September 2017**



**Round 5 Pike King AMSAG Southern Cross Rally Series**

**SPECTATOR INSTRUCTIONS**



The 2017 Rally of Orange is based out of the Towac Park Orange. This will be the start, finish and service park for the event. The cars will be departing the location at 8:30am Saturday. Food and drink will be available to purchase during the day. Towac Park is located Canobolas Rd Orange.

## Instructions to all spectator points

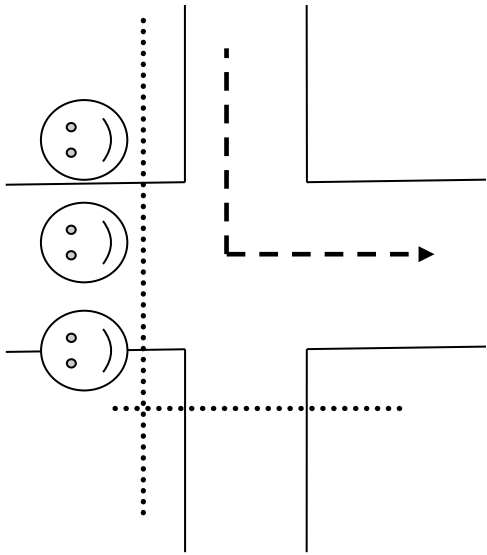
Allow around 25min travel time from service park

Distance to next instruction	Instruction
0	From Towac Park turn right onto main road
600m	Turn left at T junction Pinnacle RD
1.2km	Turn right at T junction
200m	Turn left Gardeners Rd
800m	Turn right at roundabout
1.7km	Turn right at traffic lights sign posted to Hospital
2.5km	Turn right sign posted Cadia Rd
9km	Turn right Four Mile Creek Rd
1.8km	For spectator point 3 turn right and travel 300m or continue straight for points 2 and 1
700m	For spectator point 1 turn right and travel 200m or continue straight for point 3
2.7km	For spectator point 3 turn right and follow main Rd for 200m
<b>Total - 21km</b>	<b>Park on sides of road, DO NOT BLOCK ROAD, follow all Marshalls instructions</b>

# Spectator point 1

Stage C3, C7, C11

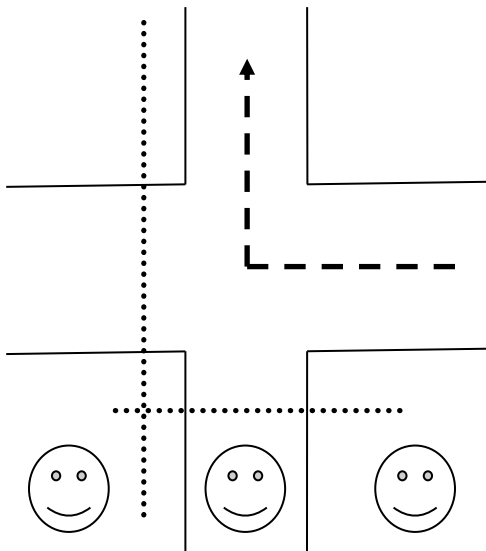
Cars due at 9:30am, 11:58am, 3:08pm



# Spectator point 2

Stage C3, C7, C11

Cars due at 9:30am, 11:58am, 3:08pm



# Spectator point 3

Stage C4, C8

Cars due at 9:57am, 12:28pm

